

Sizing and Installation Instructions for Irrigation Systems

Water Hammer is the undesired high pressure surge caused by fast-closing solenoid control valves. Water Hammer can be damaging to pipes, joints, solenoid valves, backflow preventers, and can cause knocking in pipes.

The Zurn Wilkins Model 1250XL Water Hammer Arrestor is a piston style air charge cylinder, designed to absorb damaging effects of high pressure water hammer. The solution is simple, and Zurn Wilkins has made it easier with a chart and directions to help sizing and installing the Zurn Wilkins 1250XL into your irrigation system.

SIZING:

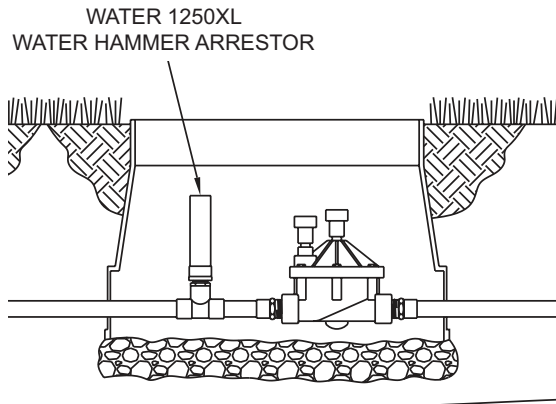
Use the following table to size water hammer arrestor based on size of supply line to zone control valves(s).



Supply Line Size	Arrestor Size	
	Water pressures up to 65 psig	Water pressures over to 65 psig
3/4"	B	C
1"	C	D
1 1/4" - 1 1/2"	E	F
2"	F	C + F

SINGLE CONTROL VALVE

Arrestors should be placed within 4 feet upstream of each zone control valve. The closer the valve can be installed to the source of the water hammer the more effective it will be.



MULTIPLE CONTROL VALVES

If a manifold or multiple zone control valves are clustered together within 4 feet of a tee or branch off a main line, you may use a single water hammer arrestor installed in the mainline upstream of the tee or branch. The water hammer arrestor should be located no further than 4 feet from the farthest zone control valve.

